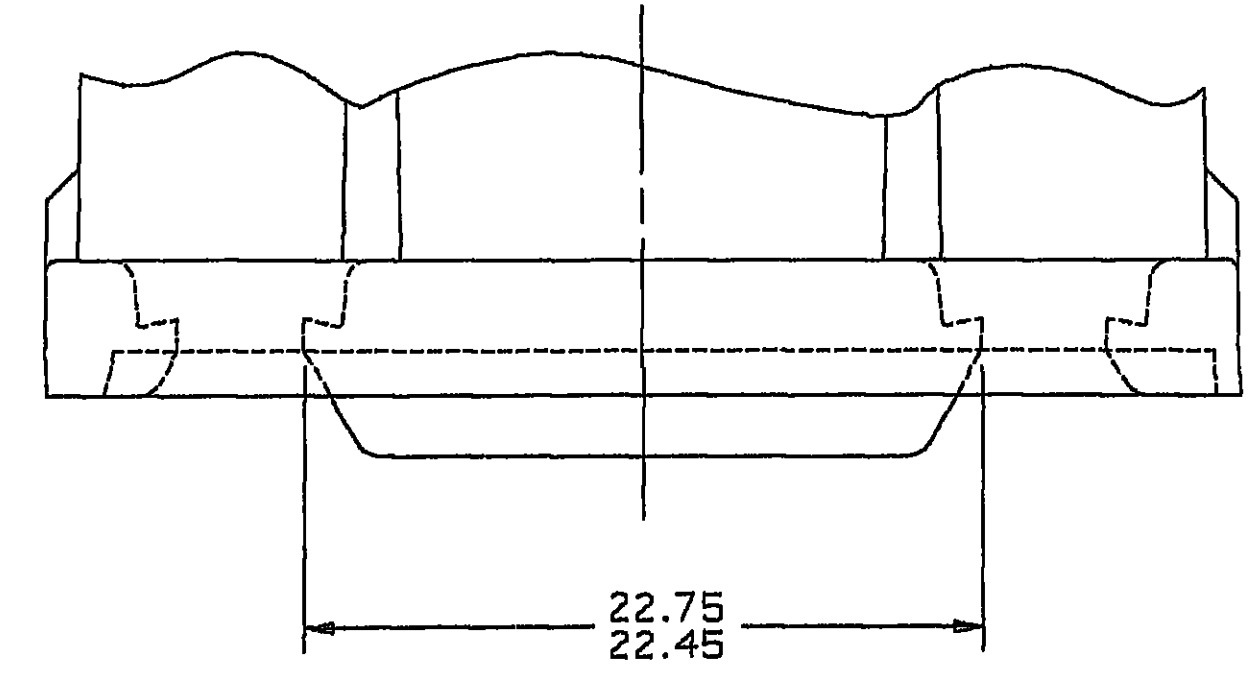
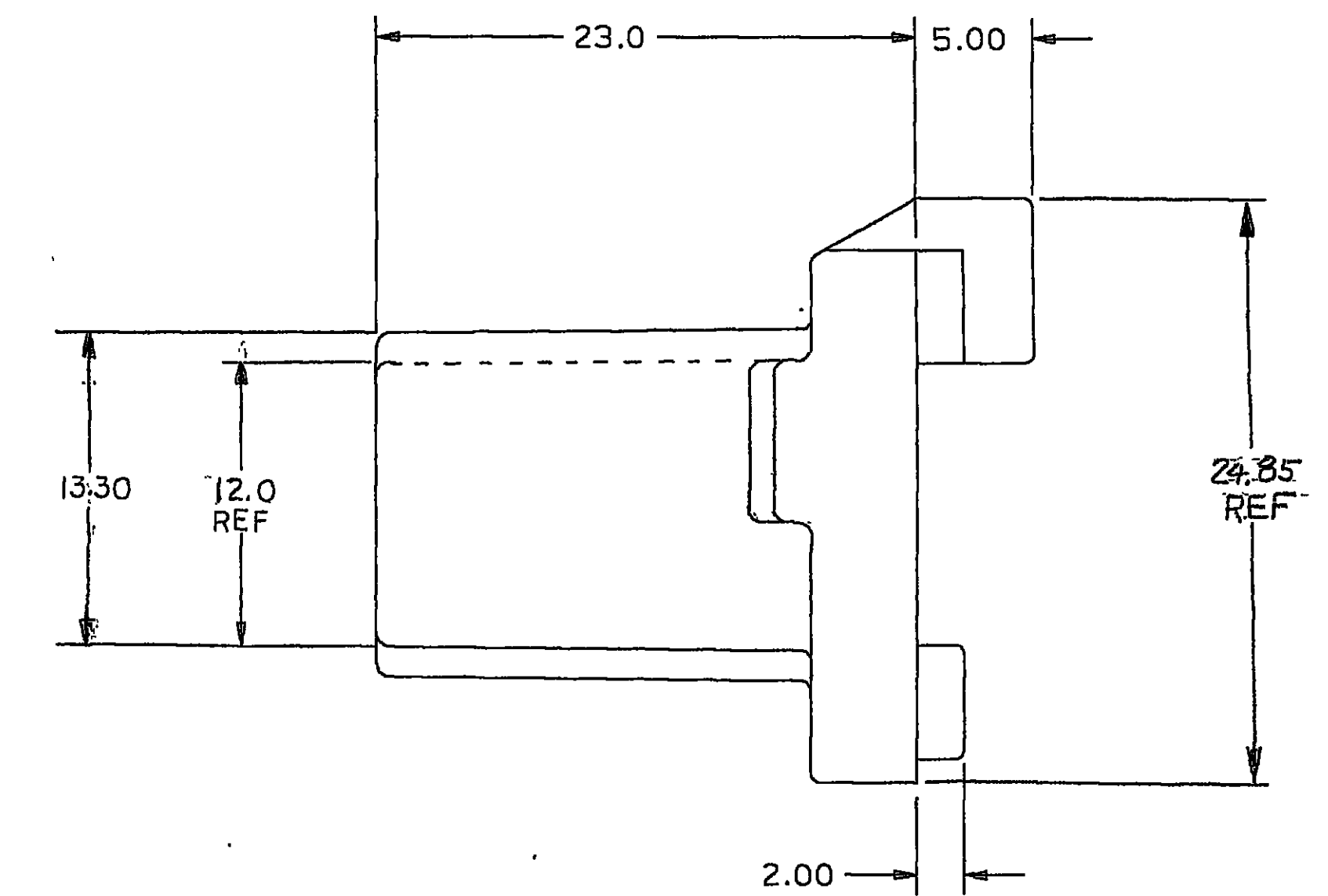
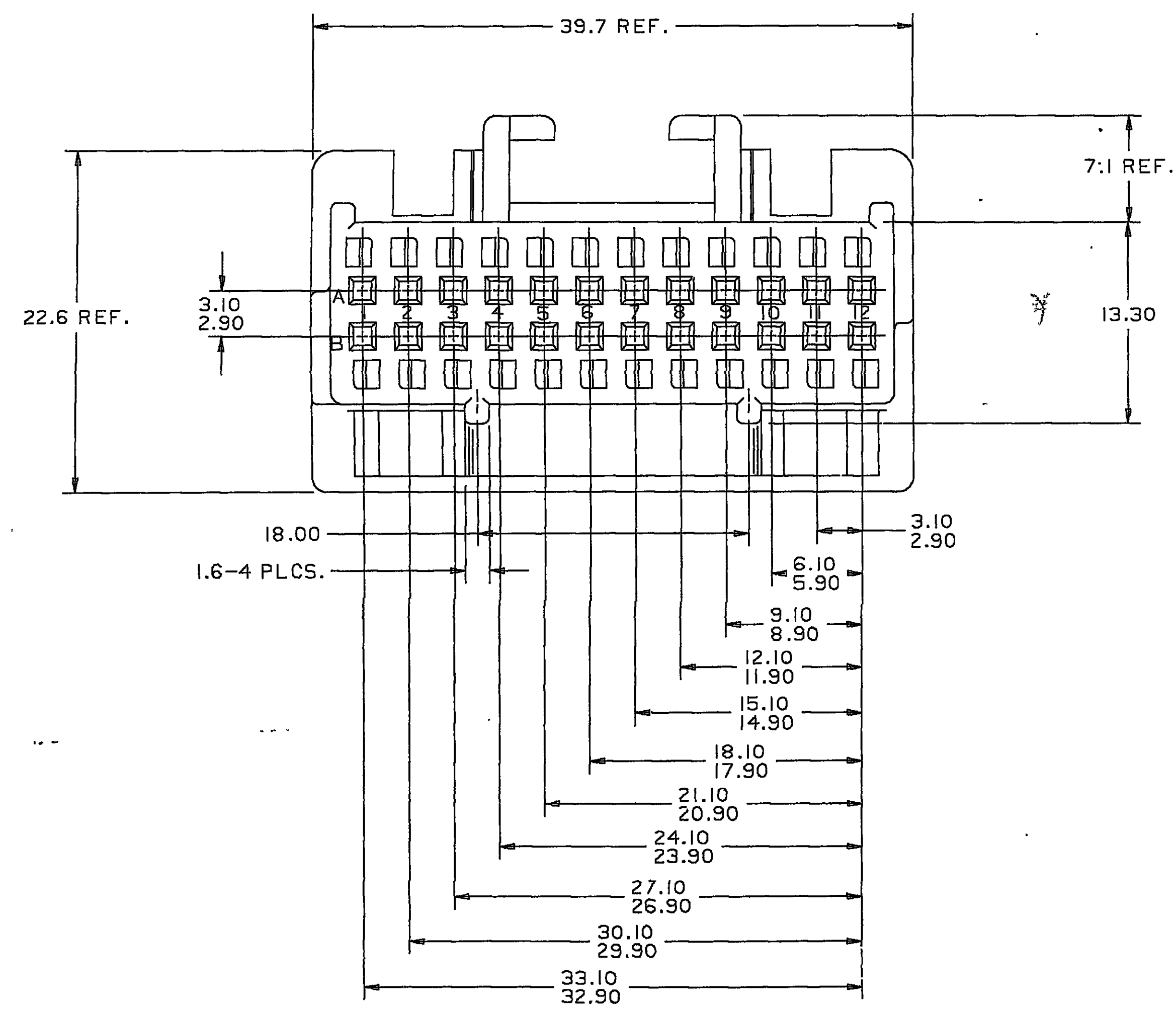
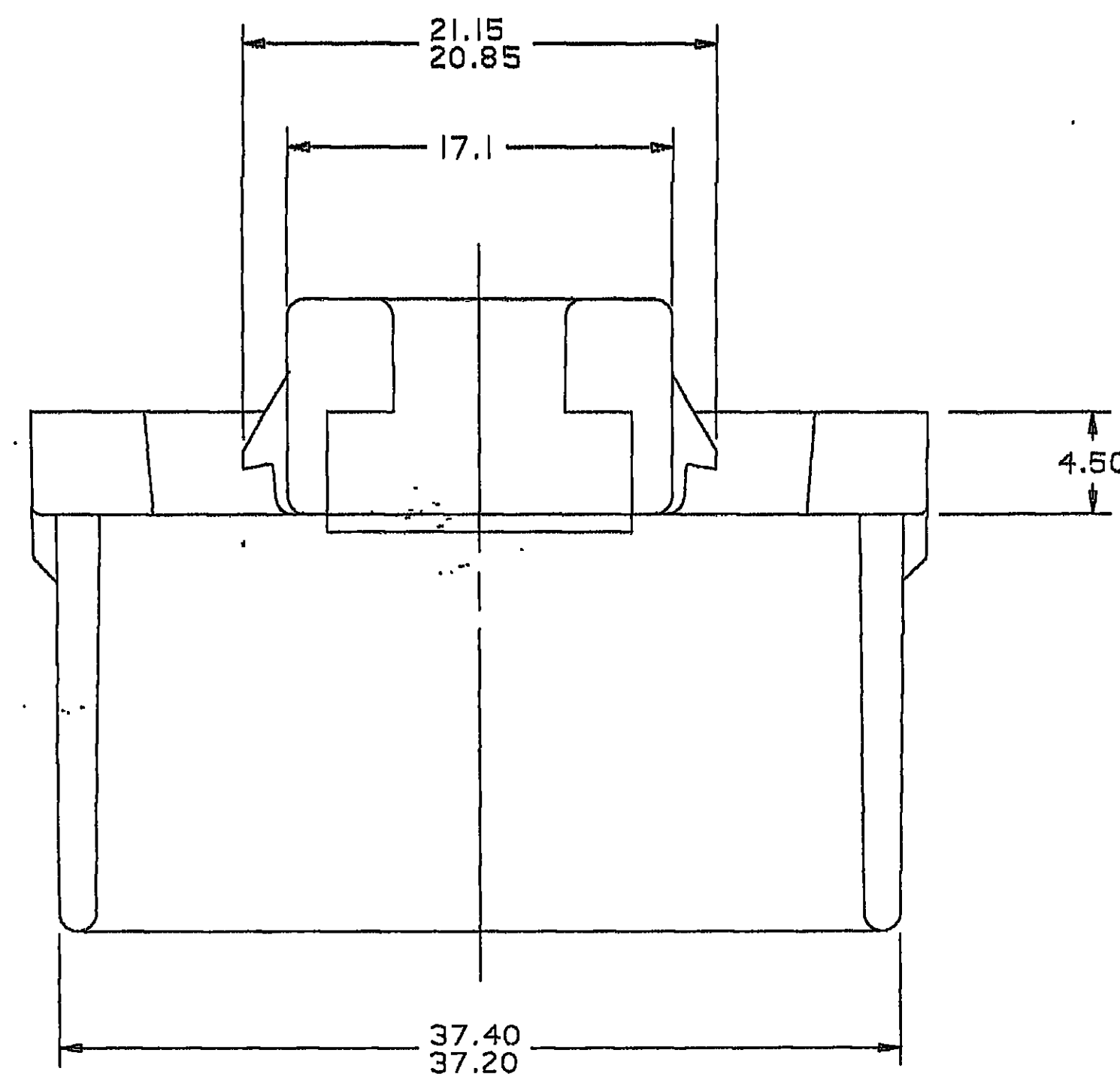


THIS DRAWING AND DESIGN HEREON CONSTITUTE A PROPRIETARY DESIGN OF PACKARD ELECTRIC DIVISION AND IS NOT TO BE DUPLICATED OR REPRODUCED WITHOUT THE AUTHORITY OF PACKARD ELECTRIC DIVISION.

DO NOT SCALE

PART NO. 1204 7946

PART NO. 1204 7946



DATE	SYM	REVISION RECORD	AUTH	DR	CK
12AP84	A	PART NO. WAS EX-77212 & RELEASED	84005		DP
24OC84		REF. NO. WAS 12047946 "R" SIZE & REPLOTTED.		93869	RLP/FH
13DE84	B	REVISED & REPLOTTED	94862		TLB/MW
21FE85		6901 CODE NO. ADDED & REPLOTTED	85004		TLB/FH
07MR86	C	REVISED	104733		JP/FH
23JA87	D	REV. LEVEL ADVANCED	111460		OKS/RG
21MY87		REVISED NOTE #2 & ADDED NOTE #4	113598		JP/FH
30OC87		REVISED NOTE #4 & ADDED NOTE #5	116529		JEH/TM
24JL89		REVISED NAME AND REMOVED PATENT PENDING	128147		FH/JH
27AU91		REVISED GRAPHICS, ADDED 12.0 REF. DIM. & NOTE #6, REMOVED 12.10/11.90 DIM.	144229		TS/JC
24SE92		REVISED NOTES #1 & #2, ADDED 24.85 REF DIM, NO REV. UPDATE REQ'D	151182		SA/GH
11DE95		MAT'L WAS PM002350-002 NO REVISION UPDATE REQ'D	168454		JHH/JHH

As of 06JL90 this drawing is no longer being maintained on computer vision.

- NOTES**
1. CAVITIES A12 AND B1 CAN ACCEPT TERMINAL 12089649 OR EQUIVALENT. ALL CAVITIES CAN ACCEPT TERMINAL 12089660 OR EQUIVALENT.
 2. CAVITIES A12 AND B1 CAN ACCEPT A MAX INSULATION CRIMP OF 3.55 HIGH AND 3.50 WIDE (3.55 MAX. CABLE O.D. ALL OTHER CAVITIES ACCEPT A MAX INSULATION CRIMP OF 2.30 HIGH AND 3.50 WIDE (2.40 MAX CABLE O.D.) REFER TO ESA-605 FOR CRIMP DIMENSIONS.
 3. MATING CONNECTOR 12020756 OR EQUIVALENT.
 4. THIS CONNECTOR TO ACCEPT TERMINAL POSITION ASSURANCE 12047900 AND 12047901 FOR STRAIGHT WIRE DRESS, 12047900 AND 12048244 FOR RIGHT ANGLE WIRE DRESS OR EQUIVALENT.
 5. THIS CONNECTOR TO ACCEPT CONNECTOR POSITION ASSURANCE 12077899 OR EQUIVALENT.
 6. DIMENSIONS MARKED "REF" ARE FOR REFERENCE ONLY, AND NO TOLERANCE LIMITS ARE ESTABLISHED.

CAD CAM (SBB)

METRIC
DIMENSIONS ARE IN MILLIMETERS UNLESS OTHERWISE SPECIFIED

THIRD ANGLE PROJECTION

CODE NO. 6900, 6901	TOLERANCE UNLESS OTHERWISE SPECIFIED	ANGULAR ± 2°
DECIMAL: ONE PLACE ± 0.3	TWO PLACE ± 0.15	
DWG DATE 14OC83	SCALE NONE	DR.
CD.C.MICRO.F.24.12047946.00	CK. D. PAXSON	DATE 25AP84
REFERENCE NO. 12052176 "R" SIZE	APPR. J. WINGER	DATE 13JN84
MATERIAL SPEC. R0100172 PBT-GF30-BLK		
NAME CONN 24F MIC/P 100		
PART NO. 1204 7946	SIZE D	

OUTLINE DRAWING

C04D1811

PACKARD ELECTRIC